

Handsaw File Holder

The holder clamps to the end of a triangular saw file and is adjustable so that the grip portion can remain horizontal, regardless of the rake angle setting. This provides a tactile cue for maintaining a consistent rake angle on the saw tooth.

An adjustable fence provides a visual cue, both for rake and for fleam (or bevel) angle.

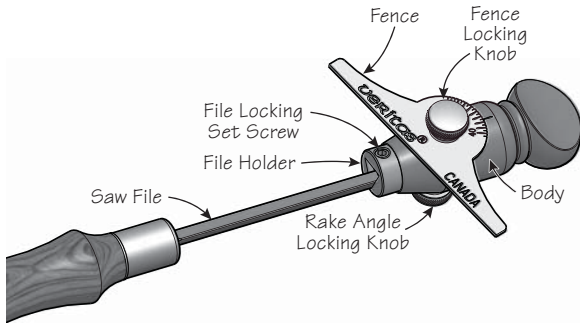


Figure 1: Veritas® Handsaw File Holder.

Setting the File Holder for Rake Angle

Use the vernier angle scale on the bottom of the holder to set the rake angle. When the “0” mark on one scale is aligned with that on the other scale, the leading edge of the file will be vertical and the saw rake will be 0° (see **Figure 2**).

The main scale on the body of the holder is divided into 5° increments, and the vernier scale on the file holder is divided into 1° increments. Align the “0” on the file holder with the 5° graduation on the body that is nearest to the desired rake angle. If the desired rake angle is larger than the nearest 5° mark, continue turning the holder until the appropriate vernier graduation on the file holder aligns with a graduation on the body. For example, to set the rake angle to 17°, as shown in **Figure 2**, first align the “0” mark on the file holder with the 15° mark on the body, then rotate the file holder until the “2” mark on the file holder aligns with the nearest mark on the body ($15^\circ + 2^\circ = 17^\circ$).

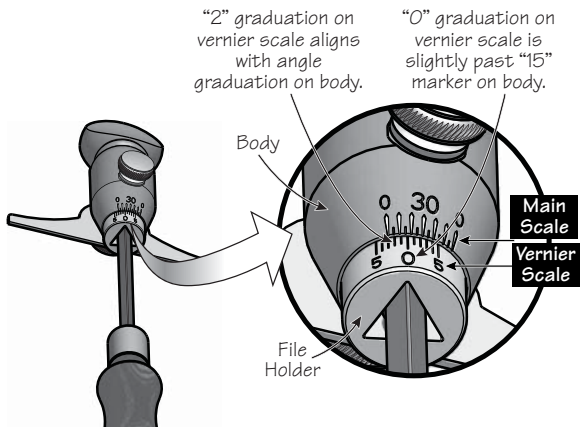


Figure 2: File holder set for 17° rake angle.

Setting the File Holder for Fleam (Bevel) Angle

When sharpening a rip saw, the file is drawn directly across the saw blade so that every tooth is the same. On a crosscut saw, the teeth are filed at an angle to the blade so that alternating teeth have opposite angles. This angle is referred to as the fleam angle or bevel angle and is set using the fence.

The scale on the fence is divided into 5° increments. When filing a crosscut saw, set the fleam angle to the left of the “0” mark for every other tooth and to the right of it for the teeth in between. (See **Figure 3**.)

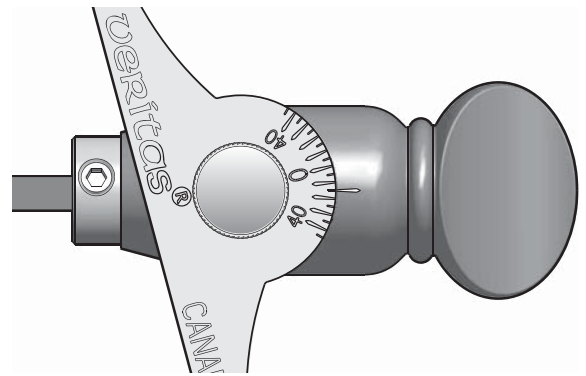


Figure 3: Setting the fence for 15° fleam angle.

Using the File Holder

Sharpening a handsaw requires that every tooth be filed as consistently as possible. Pressure on the file, the number of strokes and the positioning of the file must be consistent from tooth to tooth.

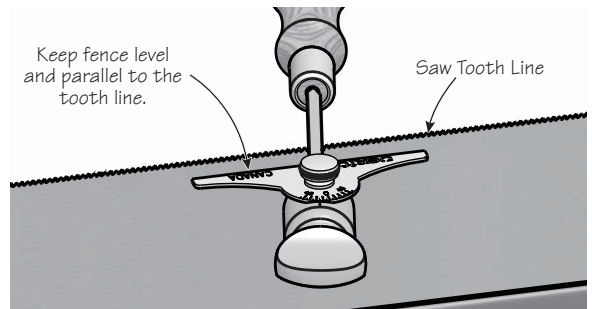


Figure 4: Filing a handsaw.
Saw vise not shown for clarity.

Hold the grip on the end of the holder so that it is horizontal. Position the fence so that its edge is parallel to the tooth line of the saw. Take a stroke and visually keep the fence aligned with the tooth line.

Over time, muscle memory will be established and filing consistently will become natural. The file holder will then serve as a guide and starting point to get the file correctly aligned for the desired geometry.

Care and Maintenance

The file holder is a fairly simple device; however, saw sharpening naturally produces lots of metal filings. Clean the holder after each use.

Periodically remove the rake angle locking knob and pull the file holder out of the body. Remove any filings that have accumulated in the holder.